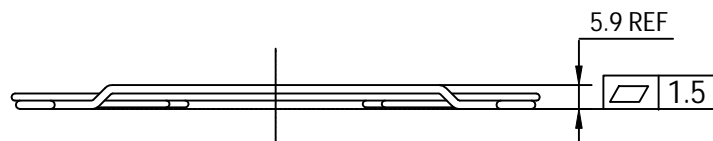
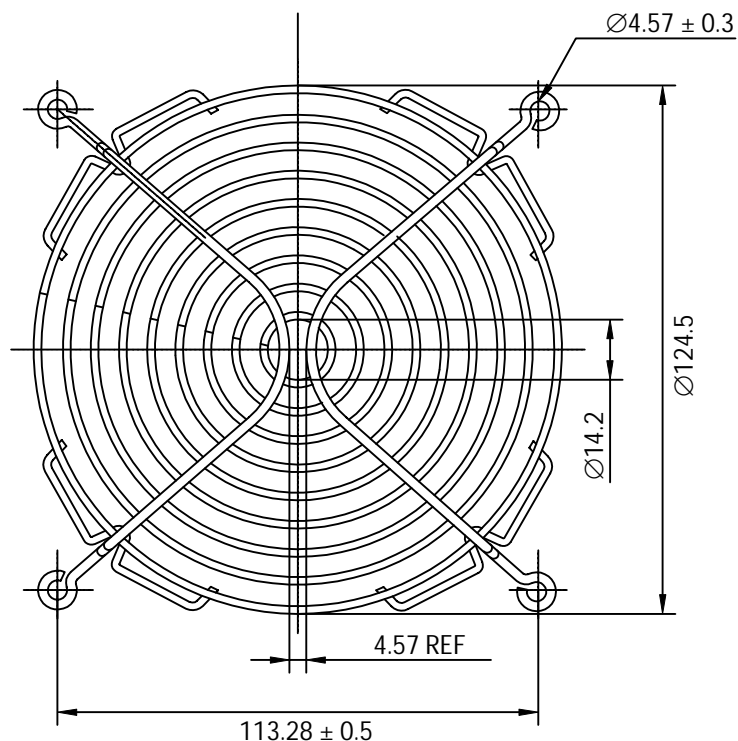


THESE DRAWINGS ARE THE PROPERTY OF QUALTEK ELECTRONICS AND NOT TO BE REPRODUCED FOR OR COMMUNICATED TO A THIRD PARTY WITHOUT THE EXPRESS WRITTEN PERMISSION OF AN OFFICER OF QUALTEK ELECTRONICS.

| REVISION |                                    |          |          |
|----------|------------------------------------|----------|----------|
| REV.     | DESCRIPTION                        | DATE     | APPROVED |
| B        | RoHS Compliancy                    | 06-01-06 | DP       |
| C        | Updated Dimensional Specifications | 06-21-18 | LY       |
| D        | Updated Mounting Hole Tolerance    | 06-28-21 | LY       |



NOTES:

1. MATERIAL: C1008 BRIGHT BASIC WIRE
2. FINISH: BRIGHT NICKEL CHROME PLATING
3. 0.35 ± 0.05 DEPTH OF SERRATIONS ON WIRE
4. RING:  $\varnothing 1.8 \pm 0.1\text{mm}$   
RIB:  $\varnothing 2.3 \pm 0.1\text{mm}$   
WING:  $\varnothing 1.8 \pm 0.1\text{mm}$
5. GENERAL TOLERANCE UNLESS NOTED IS  $\pm 0.5\text{mm}$
6. RoHS COMPLIANT

**CONTROLLED**

| Dim range (mm) |      | Tolerance +/- (mm)                       |  | Qualtek Electronics Corp.<br>FAN-S DIVISION |  |  |
|----------------|------|--|--|---|--|--|
| 0-5            | 0.1  | Part Number: 08150                       |  | RoHS Compliant                              |  |  |
| 5-16           | 0.15 | Description: WIRE FORM FAN GUARD (127mm) |  |   |  |  |
| 16-64          | 0.2  | UNIT: mm                                 |  | REV: D                                      |  |  |
| 64-250         | 0.4  | Drawn / Date                             |  | Checked / Date                              |  |  |
| 250-1000       | 0.5  | B. ZHANG<br>11-17-03                     |  | Approved / Date                             |  |  |
| 1000-1500      | 1.0  |  |  | 11-17-03                                    |  |  |
|                |      |  |  | JH / 11-17-03                               |  |  |