

LIFT-AND-TURN LOCK

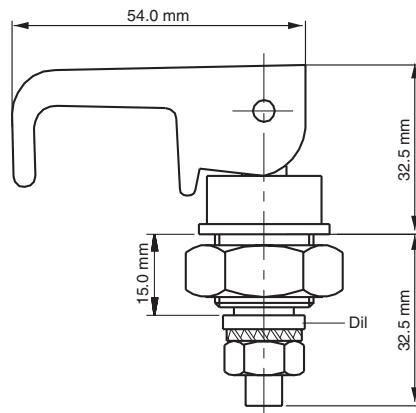


Specifications

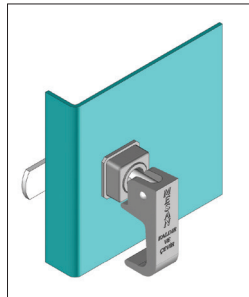
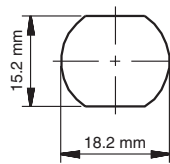
- Material:
Body: Polyamide DIN-EN ISO 1043-1 PA6 GFR 30
CAM: Steel
- Provides 5 mm of compression

Features

- Suitable for steel and polyester panels
- Applications: Electric panels, machinery covers



Cut out



Item Number

070

Material

Nylon

Finish

Black