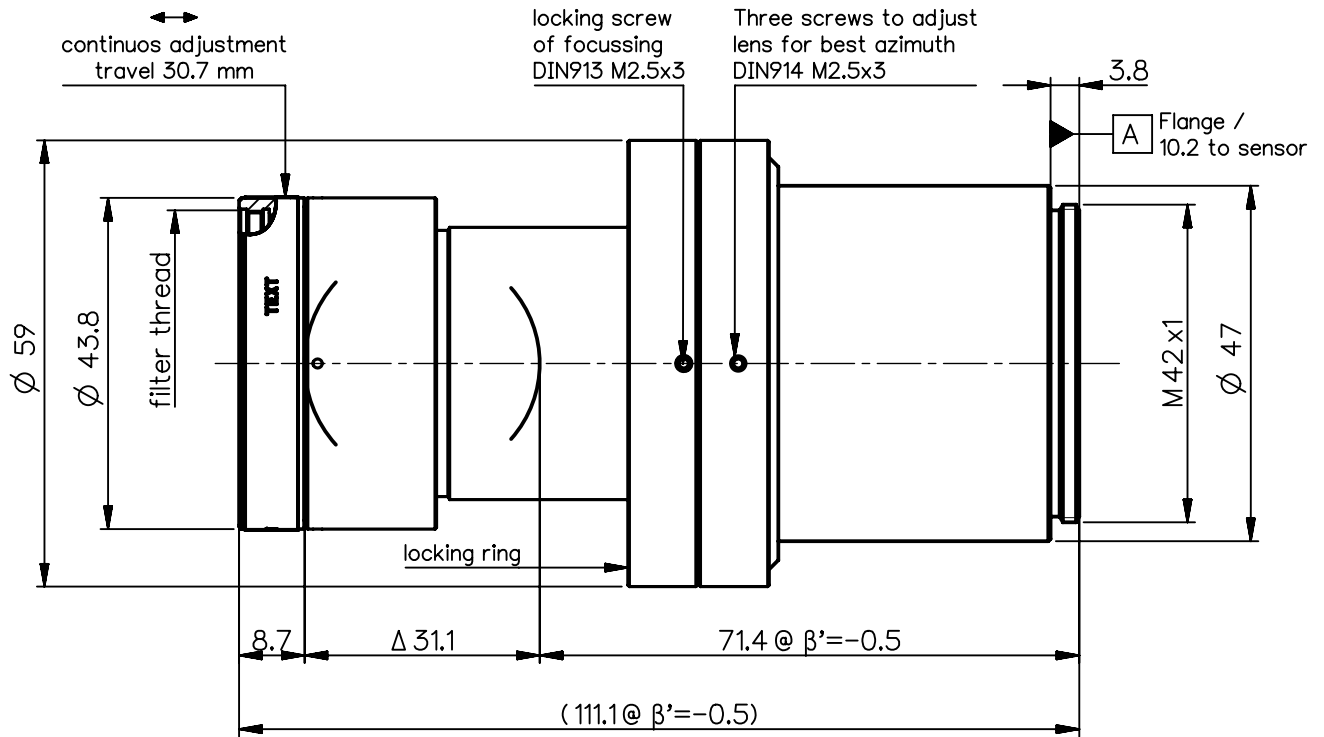


order number	lens name	f-stop
0703-120-000-25	Rodagon M42 4/60	4
0703-120-000-26	Rodagon M42 5.6/60	5.6
0703-120-000-27	Rodagon M42 8/60	8

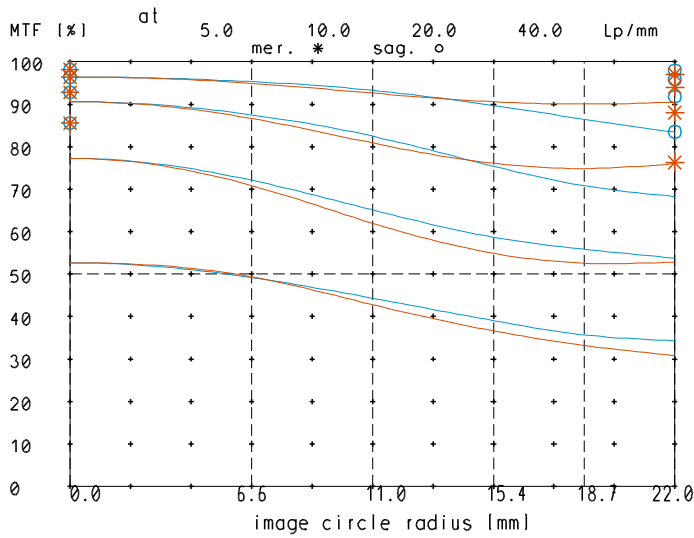


Specification		ON	7441-9003						
image circle max. (mm)	39.6	working distance (mm)	159 - 1275						
focal length f' (mm)	62	interface	M42x1						
magnification β' [range]	-0.25 [-0.5 ... -0.033]	filter thread	M40.5x0.5						
spectral range λ (nm)	400 - 750	weight (g)	230						
schematic diagram		design includes CCD cover glass: no							
		SF (mm)	-44.1	f-stop	4	\varnothing EnP	15.5	\varnothing Exp	15.6
		S'F' (mm) *	46.9						
		HH' (mm) *	-2.0						
		SH (mm)	17.9						
		S'H' (mm) *	-15.1						
		SEnP (mm)	17.5						
		S'ExP (mm) *	-15.6						

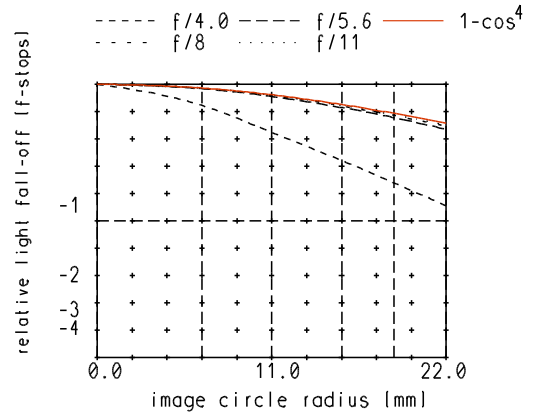
NX PROTECTIVE NOTE "DIN ISO 16016" TO BE OBSERVED	EU-D	AL-T1A	US-D	US-ML	not export controlled		
	REV	ECC	DATE	APPROVED	GENERAL TOLERANCE OF DIMENSION, FORM, POS.	SURF. TREATMT	SCALE 1:1
	a	Neuausg	11.03.15	BoII			MATERIAL
	b	17-0697	20.09.17	Loesch			
				BASIC TOLERANCING PRINCIPLE		TITLE	
				FIRST ISSUE	DATE	NAME	Rodagon M42 60mm
				CHKD	11.03.15	Stauder	
DIN A 4	ALL DIMENSIONS ARE IN MM AND INCLUDE SURFACE TREATMENT					DRAWING NO.	0703-120-100-00-0001b
						REPLACES	SHEET 1 OF 1

Rodagon-M42_4/60

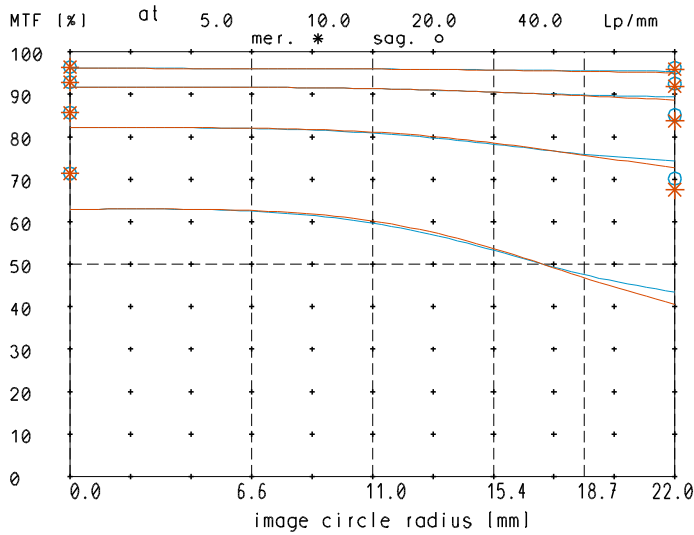
MTF at ratio -0.25 f/ 4.0



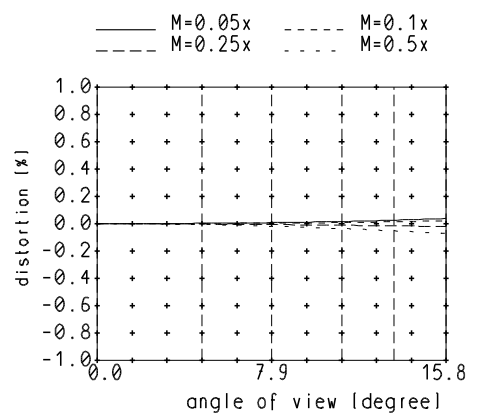
relative light fall-off at ratio -0.25



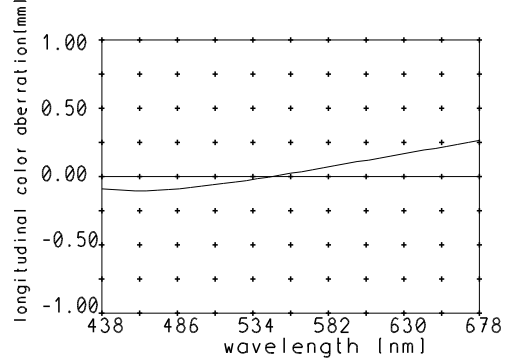
MTF at ratio -0.25 f/ 8.0



Distortion at ratio 0.05x to 0.5x



Longitudinal color aberration at ratio -0.25



— sagittal. o Diffraction limited value
— meridional * Diffraction limited value

Named frequencies (line pairs/mm) in modular transfer function (MTF) as well as diagrams of relative light fall-off, distortion and longitudinal color aberration refer to film plane.