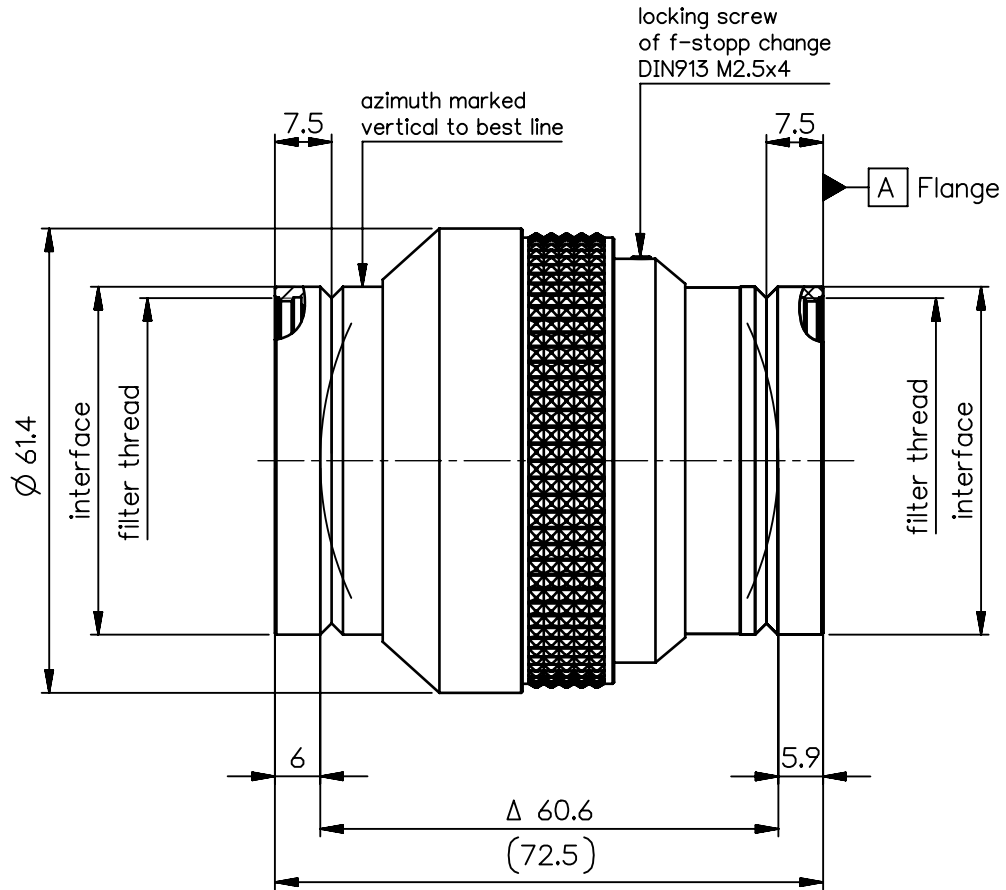


|                 |                           |
|-----------------|---------------------------|
| order number    | lens name                 |
| 0703-085-000-20 | inspec.x L 5.6/105 -0.33x |

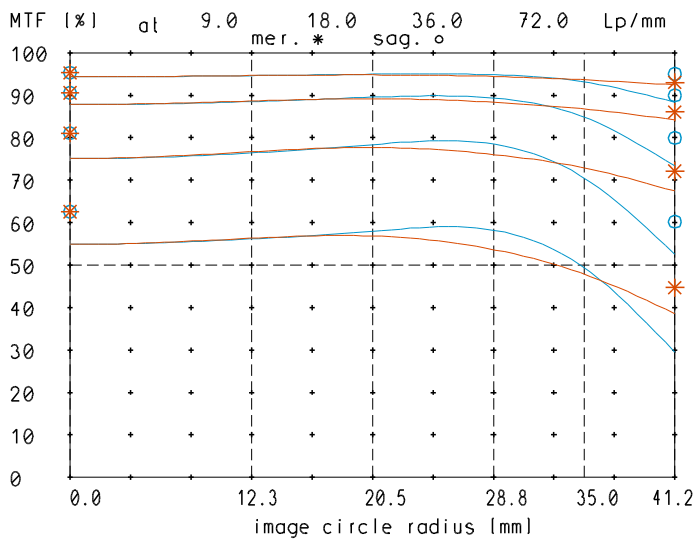


|                                |                         |  |                              |                   |
|--------------------------------|-------------------------|--|------------------------------|-------------------|
| <b>Specification</b>           |                         | ON   | 7608-9045                    |                   |
| image circle max. (mm)         | 82                      | working distance (mm)                            | 300 - 488                    |                   |
| focal length $f'$ (mm)         | 105.4                   | interface  | V-groove $\varnothing 46$ h7 |                   |
| magnification $\beta'$ [range] | -0.33 [-0.45 ... -0.25] | filter thread                                    | M43 x0.75                    |                   |
| spectral range $\lambda$ (nm)  | 400 - 750               | weight (g)                                       | 370                          |                   |
| schematic diagram              |                         | design includes CCD cover glass: yes 0.76mm D263 |                              |                   |
| *) in air                      |                         | SF (mm)  | -72.0                        | f-stop            |
|                                |                         | S'F' (mm) *)                                     | 70.5                         | $\varnothing$ EnP |
|                                |                         | HH' (mm) *)                                      | -7.6                         | $\varnothing$ Exp |
|                                |                         | SH (mm)  | 33.4                         |                   |
|                                |                         | S'H' (mm) *)                                     | -34.9                        |                   |
|                                |                         | SEnP (mm)  | 41.9                         |                   |
|                                |                         | S'Exp (mm) *)                                    | -27.0                        |                   |

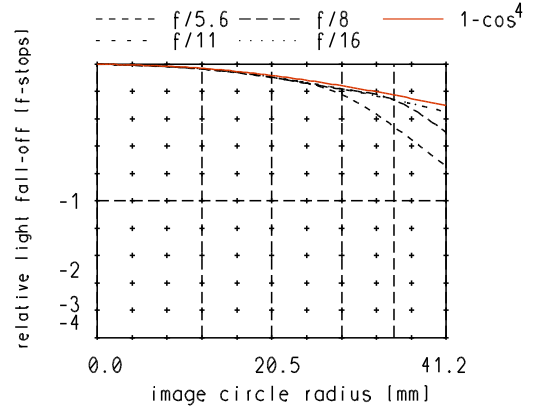
|  |  |          |            |          |   |
|--|--|----------|------------|----------|---|
| NX   | EU-D   | AL-T1A   | US-D       | US-ML    | not export controlled                       |
|  | REV  | ECC      | DATE       | APPROVED | PDM Status Freigabe                         |
|  | a  | Neuausg  | 19.08.14   | Schiffe  | SCALE 1:1                                   |
|  | b  | 15-0640  | 31.07.15   | Bo II    | MATERIAL                                    |
| PROTECTIVE NOTE "DIN ISO 16016" TO BE OBSERVED | GENERAL TOLERANCE OF DIMENSION, FORM, POS.             |          |            |          | TITLE<br><b>inspec.x L 5.6/105 -0.33x</b>   |
|  | BASIC TOLERANCING PRINCIPLE                            |          |            |          |   |
|  | FIRST ISSUE  | DATE     | NAME       |          |   |
|  | CHKD   | 19.08.14 | Schifferer |          |   |
| DIN A 4  | ALL DIMENSIONS ARE IN MM AND INCLUDE SURFACE TREATMENT |          |            |          | DRAWING NO.<br><b>0703-085-100-00-0001b</b> |
|  |  |          |            |          | SHEET 1 OF 1                                |
| REPLACES                                       |  |          |            |          |   |

# Inspec.x\_L\_5.6/105\_0.33x

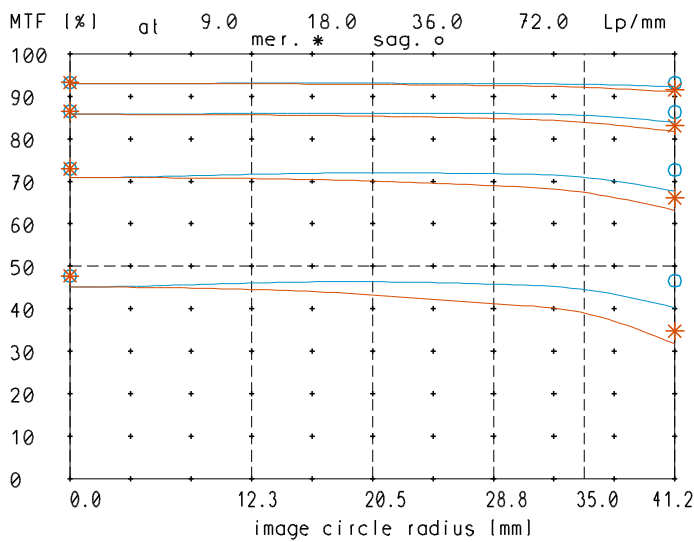
MTF at ratio 0.33x f/ 5.6



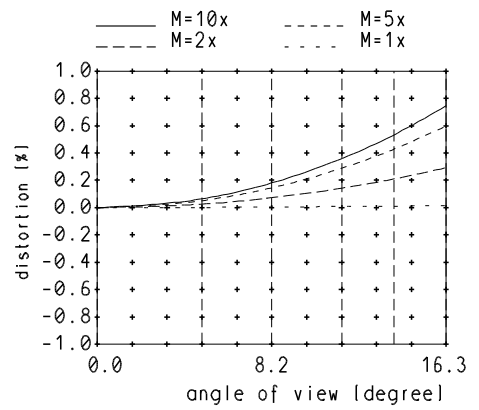
relative light fall-off at ratio 0.33x



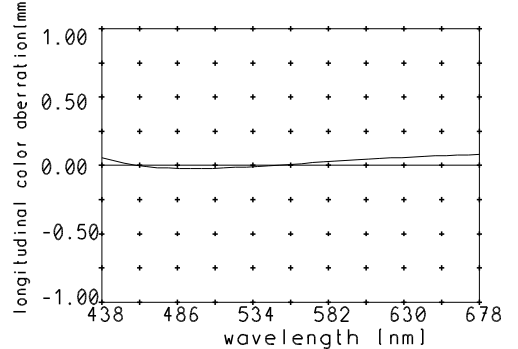
MTF at ratio 0.33x f/ 8



Distortion at ratio 10x to 1x



Longitudinal color aberration at ratio 0.33x



— sagittal, o Diffraction limited value  
 — meridional\* Diffraction limited value

Named frequencies (line pairs/mm) in modular transfer function (MTF) as well as diagrams of relative light fall-off, distortion and longitudinal color aberration refer to film plane.