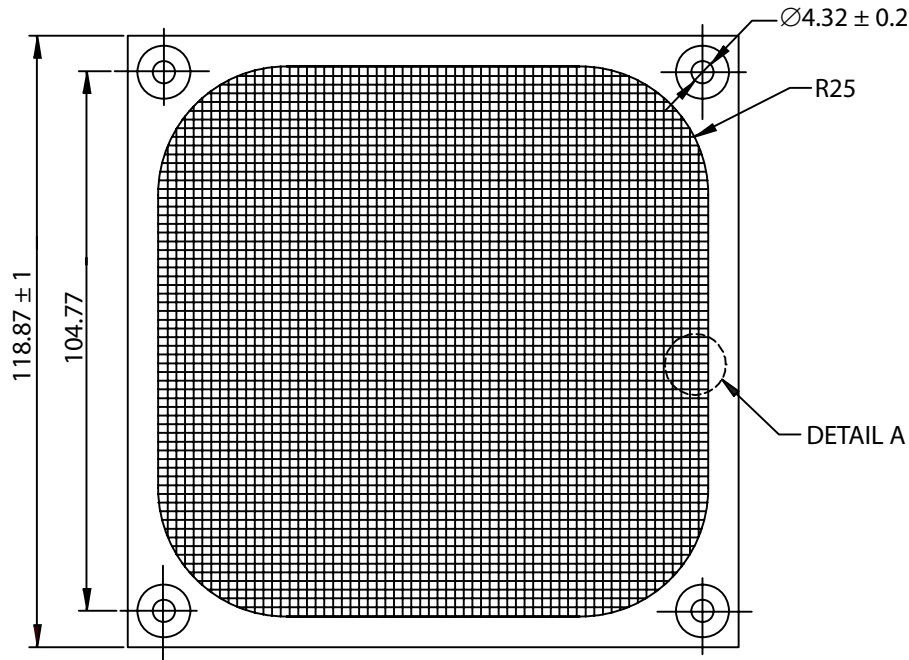


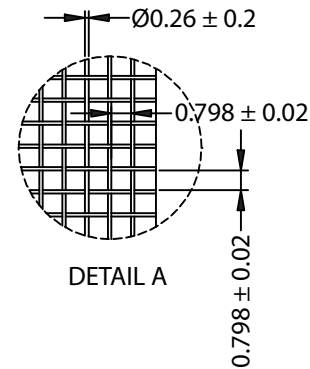
THESE DRAWINGS ARE THE PROPERTY OF QUALTEK ELECTRONICS AND NOT TO BE REPRODUCED FOR OR COMMUNICATED TO A THIRD PARTY WITHOUT THE EXPRESS WRITTEN PERMISSION OF AN OFFICER OF QUALTEK ELECTRONICS.

REVISION			
REV.	DESCRIPTION	DATE	APPROVED
A	Depth 1/6", Pitch 1/3"	05-24-02	DP
B	Depth 1/8", Pitch 3/16" from measurement	09-10-03	DP
C	RoHS Compliancy	06-01-06	DP
D	Updated Specifications	04-02-08	DP
E	Updated Dimensions	09-09-08	LY
F	Added Spacing Specifications	02-28-11	LY



NOTES:

- MATERIAL:
(1)FRAME: SUS304 STAINLESS STEEL WITH 0.6mm THICKNESS
(2)MESH: 24#/25.4mm STAINLESS STEEL
- FINISH: ELECTROLYZE
- GENERAL TOLERANCE UNLESS NOTED IS ± 0.5 mm
- RoHS COMPLIANT



CONTROLLED

Dim range (mm)	Tolerance +/- (mm)	Qualtek Electronics Corp. FAN-S DIVISION		
		Part Number: 06450-SS	RoHS Compliant	
0-5	0.1	Description: FAN FILTER SCREEN (120mm)		
5-16	0.15			
16-64	0.2	UNIT: mm		REV: F
64-250	0.4	Drawn / Date	Checked / Date	Approved / Date
250-1000	0.5	B.ZHANG 07-29-02	07-29-02	JJH / 07-29-02
1000-1500	1.0			