

Adapter

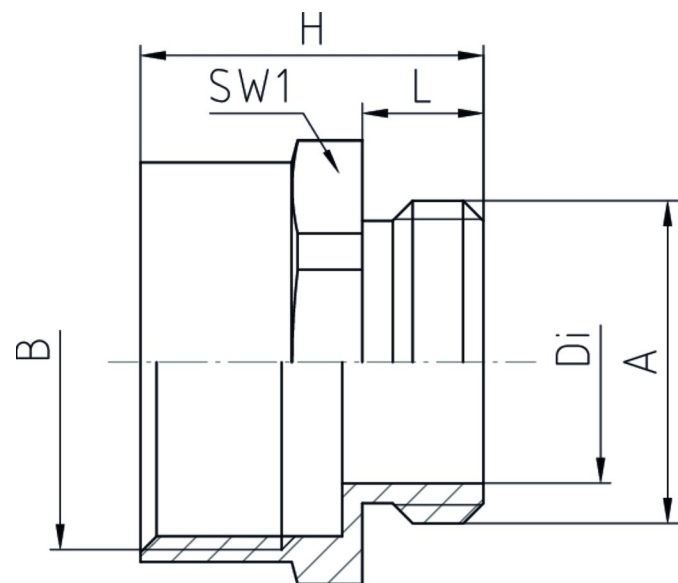
Adapter	Brass CuZn39Pb3, nickel-plated
External thread	metric, as per EN 60423
Internal thread	Pg as per DIN 40430




Properties

Temperature range	-60 °C +200 °C
Protection grade	dependent on the combination with other components

- adapter from metric to Pg-threaded holes



Features

A	B	L	SW1	H	Di	 VPE	Part No.
M12x1,5	Pg 7	6	14	16	8	100	06307M12MU
M12x1,5	Pg 9	6	17	16,5	8,2	100	06309M12MU
M16x1,5	Pg 11	6	20	17	12	100	06311M16MU
M20x1,5	Pg 11	6,5	22	17,5	15	100	06311M20MU
M20x1,5	Pg 13,5	6,5	22	19	16	100	06313M20MU
M25x1,5	Pg 16	7	27	20,5	18,5	50	06316M25MU
M25x1,5	Pg 21	7	30	22	21	50	06321M25MU
M32x1,5	Pg 29	8	40	24,5	27,5	25	06329M32MU
M40x1,5	Pg 29	8	43	24,5	32	25	06329M40MU
M50x1,5	Pg 36	9	55	28,5	42	10	06336M50MU
M50x1,5	Pg 42	9	57	31	44	5	06342M50MU
M63x1,5	Pg 48	10	65	33	52,5	5	06348M63MU

Jacob