



## Main

|                               |  |
|-------------------------------|--|
| Range of Product              | Telemecanique Photoelectric sensors XU                                   |
| Series name                   | Application material handling  |
| Electronic sensor type        | Photo-electric sensor  |
| Sensor name                   | XUY  |
| Sensor design                 | Compact 50 x 50  |
| Detection system              | Diffuse  |
| Material                      | Plastic  |
| Supply circuit type           | DC   |
| Wiring Technique              | 4-wire   |
| Analogue output range         | 0...10 V   |
| Electrical connection         | 1 male connector M12, 4 pins   |
| Product Specific Application  | Measuring thickness of mechanical parts<br>Position control of robot arm |
| Emission                      | Red laser, pulsed 0.000025591 in (650 nm) - class 1 IEC 825-1            |
| [Sn] nominal sensing distance | 1.77...3.35 in (45...85 mm)  |

## Complementary

|                           |   |
|---------------------------|---|
| Enclosure Material        | ABS, anti-shock                             |
| Pulse frequency           | 6 kHz                                       |
| Linearity                 | < 1 %                                       |
| Spot diameter             | 0.03 in (0.8 mm) at 65 mm                   |
| Spot dimension            | Ø 0.8 mm at 65 mm                           |
| Resolution                | 20 µm                                       |
| Status LED                | Supply on 1 LED green)<br>Dirty 1 LED red)  |
| [Us] rated supply voltage | 24 V DC reverse polarity protection         |
| Supply voltage limits     | 18...28 V DC                                |
| Switching capacity in mA  | 3 mA overload and short-circuit protection) |
| Switching frequency       | < 40 Hz                                     |
| Maximum voltage drop      | <2.4 V closed state)                        |
| Current consumption       | 35 mA no-load                               |
| Maximum delay response    | 30 ms output circuit                        |
| Setting-up                | Parametering by buttons                     |
| Net Weight                | 0.13 lb(US) (0.057 kg)                      |

## Environment

|                                       |   |
|---------------------------------------|---|
| Product Certifications                | CE  |
| Ambient Air Temperature for Operation | 32...113 °F (0...45 °C)                   |
| Ambient Air Temperature for Storage   | -4...140 °F (-20...60 °C)                 |
| Immunity to ambient light             | 5000 lux natural light                    |
| Vibration resistance                  | 7 gn +/- 1.5 mm 10...55 Hz) IEC 60068-2-6 |
| Shock resistance                      | 30 gn 11 ms) IEC 60068-2-27               |
| IP degree of protection               | IP67 IEC 60529                            |

The information provided in this documentation contains general descriptions and/or technical characteristics of the performance of the products contained herein. This documentation is not intended as a substitute for and is not to be used for determining suitability or reliability of these products for specific user applications. It is the duty of any such user or integrator to perform the appropriate and complete risk analysis, evaluation and testing of the products with respect to the relevant specific application or use thereof. Neither Schneider Electric Industries SAS nor any of its affiliates or subsidiaries shall be responsible or liable for misuse of the information contained herein.

## Ordering and shipping details

|                       |                              |
|-----------------------|------------------------------|
| Category              | 22481-SENSORS, PHOTOELECTRIC |
| Discount Schedule     | DS2                          |
| GTIN                  | 3389119009829                |
| Nbr. of units in pkg. | 1                            |
| Package weight(Lbs)   | 1.62 oz (46.0 g)             |
| Returnability         | No                           |
| Country of origin     | DE                           |

## Packing Units

|                              |                    |
|------------------------------|--------------------|
| Unit Type of Package 1       | PCE                |
| Package 1 Height             | 1.10 in (2.8 cm)   |
| Package 1 width              | 2.36 in (6 cm)     |
| Package 1 Length             | 3.58 in (9.1 cm)   |
| Unit Type of Package 2       | S01                |
| Number of Units in Package 2 | 10                 |
| Package 2 Weight             | 24.16 oz (685.0 g) |
| Package 2 Height             | 5.91 in (15 cm)    |
| Package 2 width              | 5.91 in (15 cm)    |
| Package 2 Length             | 15.75 in (40 cm)   |

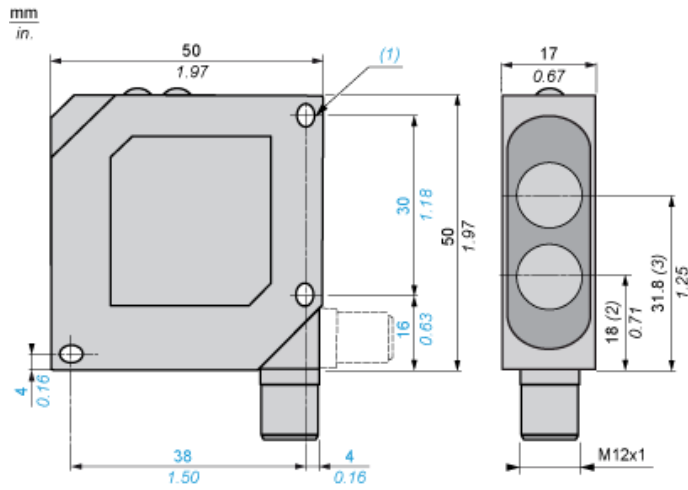
## Offer Sustainability

|                            |   |
|----------------------------|---|
| California proposition 65  | WARNING: This product can expose you to chemicals including: Diisononyl phthalate (DINP), which is known to the State of California to cause cancer, and Di-isodecyl phthalate (DIDP), which is known to the State of California to cause birth defects or other reproductive harm. For more information go to <a href="http://www.P65Warnings.ca.gov">www.P65Warnings.ca.gov</a> |
| REACH Regulation           | <a href="#">REACH Declaration</a>   |
| EU RoHS Directive          | Pro-active compliance (Product out of EU RoHS legal scope) <a href="#">EU RoHS Declaration</a>  |
| Mercury free               | Yes   |
| RoHS exemption information | <a href="#">Yes</a>   |

## Contractual warranty

|          |           |
|----------|-----------|
| Warranty | 18 months |
|----------|-----------|

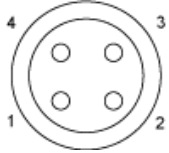
Dimensions



- (1) 2 elongated holes  $\varnothing 4.3 \times 4$
- (2) Transmitter optical axis
- (3) Receiver optical axis

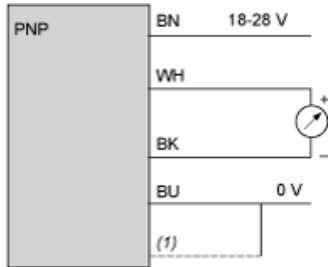
## Wiring Schemes

M12



- 1: Brown
- 2: White
- 3: Blue
- 4: Black

PNP Output



- (+) Brown
- BN :
- WH : White
- (-) Blue
- BU :
- BK : Black
- (1) Shielding

NOTE: Shielded cable recommended

## Adjustment Curves

