

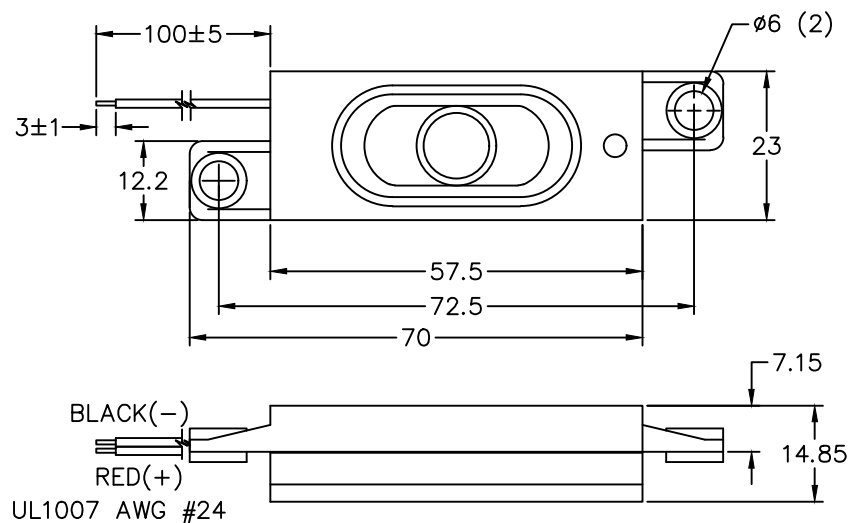
THIS DOCUMENT CONTAINS DATA PROPRIETARY TO PROJECTS UNLIMITED, INC. ANY USE OR REPRODUCTION, IN ANY FORM, WITHOUT PRIOR WRITTEN PERMISSION OF PROJECTS UNLIMITED, INC. IS PROHIBITED.
© 2005, Projects Unlimited Inc.

SPECIFICATIONS

PARAMETERS	VALUES	UNITS
RATED INPUT POWER	2	W
MAX INPUT POWER	4	W
IMPEDANCE	8±15%	OHM
OUTPUT SPL @ 1W/0.5M (AT 1.0, 1.2, 1.5, 2.0 kHz)	86±3	dBA
DISTORTION (MAX.)	10%	—
RESONANT FREQUENCY	750±20%	Hz
FREQUENCY RANGE	200 ~ 20000	Hz
HOUSING MATERIAL	ABS	—
CONE MATERIAL	CLOTH	—
MAGNET MATERIAL	NdFeB	—
OPERATING TEMPERATURE	-30 ~ +60	°C
WEIGHT	28	grams

REVISIONS


LTR	DESCRIPTION	DATE	APPROVED
—	RELEASED FROM ENGINEERING	3/26/10	



NOTES:

- ALL DIMENSIONS ARE IN MILLIMETERS.
- SPECIFICATION SUBJECT TO CHANGE OR WITHDRAWAL WITHOUT NOTICE.
- THIS PART IS RoHS 2011/65/EU COMPLIANT.

FILE NAME
ASB05708CO-LW100-R.DWG

UNLESS OTHERWISE SPECIFIED: DIMENSIONS ARE IN MILLIMETERS, TOLERANCES ARE ±0.5 AND ANGLES ARE ±3°.		 A Division of Projects Unlimited		6300 Sand Lake Road Dayton, Ohio 45414	
APPROVALS		DATE		<h1>SPEAKER</h1> DRAWING NO. ASB05708CO-LW100-R	
DRAWN	B.R.	3/10			
CHECKED	C.W.	3/10			
APPROVED		3/10		SCALE: N.T.S.	SHEET 1 OF 1