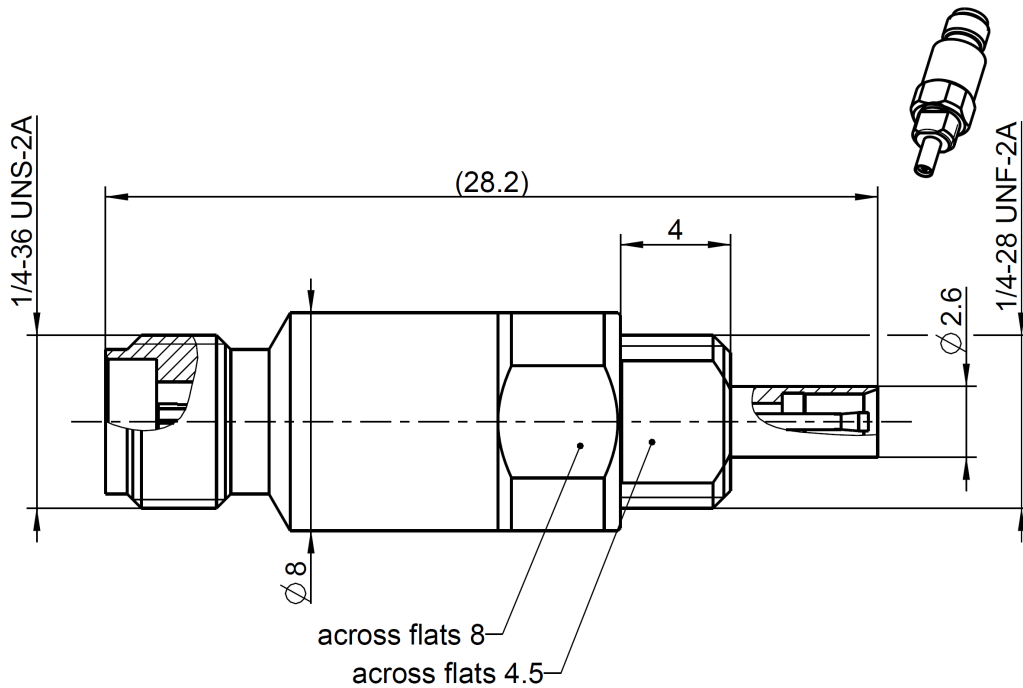


RPC-2.92
 Adaptor
 RPC-2.92 JACK –
 Mini-Coax 40 GHz JACK

02K123-K00S3



All dimensions are in mm; tolerances according to ISO 2768 m-H

Interface

According to IEC 61169-35
 Mechanically compatible with RPC-3.50 and SMA
 Mini-Coax according to Rosenberger Mini-Coax

Documents

N/A

Material and plating

Connector parts

Center contact
 Outer contact
 Dielectric 1
 Dielectric 2

Material

CuBe
 Stainless steel
 PS
 PTFE

Plating

Gold, min. 1.27 µm, over chemical nickel
 Passivated

Dieses Dokument ist urheberrechtlich geschützt • This document is protected by copyright • Rosenberger Hochfrequenztechnik GmbH & Co. KG

RF_35/05:10/6.0

RPC-2.92 Adaptor
RPC-2.92 JACK –
Mini-Coax 40 GHz JACK

02K123-K00S3

Electrical data

Impedance 50 Ω
 Frequency DC to 40 GHz
 Return loss ≥ 26 dB, DC to 18 GHz
 ≥ 21 dB, 18 GHz to 26.5 GHz
 ≥ 15 dB, 26.5 GHz to 40 GHz
 Insertion loss ≤ 0.04 x √f(GHz) dB
 Insulation resistance ≥ 5 GΩ
 Center contact resistance RPC-2.92 ≤ 3.0 mΩ
 Outer contact resistance RPC-2.92 ≤ 2.0 mΩ
 Center contact resistance Mini-Coax ≤ 10.0 mΩ
 Outer contact resistance Mini-Coax ≤ 3.0 mΩ
 Test voltage 750 V rms
 Working voltage 250 V rms
 RF-leakage ≥ 80 dB @ DC to 1 GHz
 ≥ 60 dB @ 1GHz to 4 GHz

Mechanical data

Mating cycles ≥ 500
 Center contact captivation ≥ 20 N
 Coupling test torque RPC-2.92 1.70 Nm
 Recommended torque RPC-2.92 0.80 Nm to 1.10 Nm
 Mini-Coax
 Engagement and disengagement force 1 N to 4 N

Environmental data

Temperature range -40°C to +85°C
 Thermal shock MIL-STD-202, Method 107, Condition B
 Corrosion MIL-STD-202, Method 101, Condition B
 Vibration MIL-STD-202, Method 204, Condition D
 Shock MIL-STD-202, Method 213, Condition I
 Moisture resistance MIL-STD-202, Method 106
 RoHS compliant

Tooling

N/A

Weight

Weight 7.1 g/pce

While the information has been carefully compiled to the best of our knowledge, nothing is intended as representation or warranty on our part and no statement herein shall be construed as recommendation to infringe existing patents. In the effort to improve our products, we reserve the right to make changes judged to be necessary.

Draft	Date	Approved	Date	Rev.	Engineering change number	Name	Date
O.Krautenbacher	07/03/13	Martin Moder	26/02/19	a00	19-s067	Manfred Ruf	26/02/19
Rosenberger Hochfrequenztechnik GmbH & Co. KG P.O.Box 1260 D-84526 Tittmoning Germany www.rosenberger.de					Tel. : +49 8684 18-0 Fax : +49 8684 18-499 Email : info@rosenberger.de		Page 2 / 2