



## Main

|                               |  |
|-------------------------------|--|
| Range of Product              | Harmony XB4  |
| Product or Component Type     | Selector switch  |
| Device short name             | XB4F   |
| Bezel material                | Chromium plated metal  |
| Fixing collar material        | Zamak  |
| Mounting diameter             | 1.20 in (30.5 mm)  |
| Sale per indivisible quantity | 1  |
| Head type                     | Built-in-flush   |
| Shape of signaling unit head  | Round  |
| Type of operator              | Stay put   |
| Operator profile              | Black standard handle  |
| Operator position information | 3 positions +/- 45°  |
| Contacts type and composition | 2 NO   |
| Contact operation             | Slow-break   |
| Connections - terminals       | Screw clamp terminals, <= 2 x 1.5 mm <sup>2</sup> with cable end EN/IEC 60947-1<br>Screw clamp terminals, >= 1 x 0.22 mm <sup>2</sup> without cable end EN/IEC 60947-1 |

## Complementary

|  |   |
|--|---|
| Height   | 1.85 in (47 mm)   |
| Width  | 1.44 in (36.6 mm)   |
| Depth  | 2.76 in (70 mm)   |
| Terminals description ISO n°1                            | (23-24)NO<br>(13-14)NO  |
| Net Weight   | 0.23 lb(US) (0.105 kg)  |
| Resistance to high pressure washer                       | 1015.26 psi (7000000 Pa) 131 °F (55 °C) 0.1 m   |
| Device mounting  | Built-in  |
| Fixing center  | 40 x 50 mm 1...6 mm thick panel)  |
| Fixing mode  | By screws   |
| Contacts usage   | Standard contacts   |
| Positive opening   | Without   |
| Torque value   | 1.24 lbf.in (0.14 N.m) NO changing electrical state                                       |
| Mechanical durability                                    | 1000000 cycles  |
| Tightening torque  | 7.08...10.62 lbf.in (0.8...1.2 N.m) EN 60947-1  |
| Shape of screw head                                      | Cross Philips no 1<br>Cross pozidriv No 1<br>Slotted flat Ø 4 mm<br>Slotted flat Ø 5.5 mm |
| Contacts material  | Silver alloy (Ag/Ni)  |
| Short-circuit protection                                 | 10 A cartridge fuse gG EN/IEC 60947-5-1   |
| [I <sub>th</sub> ] conventional free air thermal current | 10 A EN/IEC 60947-5-1   |
| [U <sub>i</sub> ] rated insulation voltage               | 600 V 3)EN 60947-1  |
| [U <sub>imp</sub> ] rated impulse withstand voltage      | 6 kV EN 60947-1   |

|                                |   |
|--------------------------------|---|
| [Ie] rated operational current | 3 A 240 V, AC-15, A600 EN/IEC 60947-5-1<br>6 A 120 V, AC-15, A600 EN/IEC 60947-5-1<br>0.1 A 600 V, DC-13, Q600 EN/IEC 60947-5-1<br>0.27 A 250 V, DC-13, Q600 EN/IEC 60947-5-1<br>0.55 A 125 V, DC-13, Q600 EN/IEC 60947-5-1<br>1.2 A 600 V, AC-15, A600 EN/IEC 60947-5-1  |
| Electrical durability          | 1000000 Cycles, AC-15, 2 A 230 V 3600 cyc/h 0.5 EN 60947-5-1 appendix C<br>1000000 Cycles, AC-15, 3 A 120 V 3600 cyc/h 0.5 EN 60947-5-1 appendix C<br>1000000 Cycles, AC-15, 4 A 24 V 3600 cyc/h 0.5 EN 60947-5-1 appendix C<br>1000000 Cycles, DC-13, 0.2 A 110 V 3600 cyc/h 0.5 EN 60947-5-1 appendix C<br>1000000 cycles, DC-13, 0.5 A 24 V 3600 cyc/h 0.5 EN 60947-5-1 appendix C |
| Electrical reliability         | $\Lambda < 10\exp(-6)$ 5 V 1 mA in clean environment EN/IEC 60947-5-4<br>$\Lambda < 10\exp(-8)$ 17 V 5 mA in clean environment EN/IEC 60947-5-4   |
| Device presentation            | Complete product  |

## Environment

|                                       |   |
|---------------------------------------|---|
| Protective treatment                  | TH  |
| Ambient Air Temperature for Storage   | -40...158 °F (-40...70 °C)  |
| Ambient Air Temperature for Operation | -40...158 °F (-40...70 °C)  |
| Overvoltage category                  | Class I IEC 60536   |
| IP degree of protection               | IP66 IEC 60529<br>IP67 IEC 60529<br>IP69 IEC 60529<br>IP69K ISO 20653<br>Type 13 UL 50 E<br>Type 12 UL 50 E<br>Type 4 UL 50 E<br>Type 4X UL 50 E                          |
| IK degree of protection               | IK06 IEC 50102  |
| Standards                             | CSA C22.2 No 14<br>EN/IEC 60947-5-1<br>EN/IEC 60947-5-4<br>UL 508<br>EN/IEC 60947-1<br>JIS C8201-5-1<br>CE<br>JIS C8201-1   |
| Product Certifications                | UL Listed<br>CSA<br>CCC<br>EAC  |
| Vibration resistance                  | 5 gn 10...500 Hz)IEC 60068-2-6<br>2 mm peak to peak 2...10 Hz)IEC 60068-2-6   |
| Shock resistance                      | 30 gn 18 ms) half sine wave acceleration IEC 60068-2-27<br>50 gn 11 ms) half sine wave acceleration IEC 60068-2-27<br>25 gn 6 ms) 1000 shocks on each axis IEC 60068-2-27 |

## Ordering and shipping details

|                       |                                   |
|-----------------------|-----------------------------------|
| Category              | 22468-PUSHBUTTONS,22MM(METAL) NEW |
| Discount Schedule     | CS2                               |
| GTIN                  | 3606489580179                     |
| Nbr. of units in pkg. | 1                                 |
| Package weight(Lbs)   | 4.62 oz (131.0 g)                 |
| Returnability         | Yes                               |

## Packing Units

|                              |                    |
|------------------------------|--------------------|
| Unit Type of Package 1       | PCE                |
| Package 1 Height             | 1.69 in (4.3 cm)   |
| Package 1 width              | 2.05 in (5.2 cm)   |
| Package 1 Length             | 3.39 in (8.6 cm)   |
| Unit Type of Package 2       | BB1                |
| Number of Units in Package 2 | 5                  |
| Package 2 Weight             | 23.14 oz (656.0 g) |
| Package 2 Height             | 1.69 in (4.3 cm)   |

|                              |                          |
|------------------------------|--------------------------|
| Package 2 width              | 3.39 in (8.6 cm)         |
| Package 2 Length             | 10.43 in (26.5 cm)       |
| Unit Type of Package 3       | S03                      |
| Number of Units in Package 3 | 80                       |
| Package 3 Weight             | 24.25 lb(US) (10.998 kg) |
| Package 3 Height             | 11.81 in (30 cm)         |
| Package 3 width              | 11.81 in (30 cm)         |
| Package 3 Length             | 15.75 in (40 cm)         |

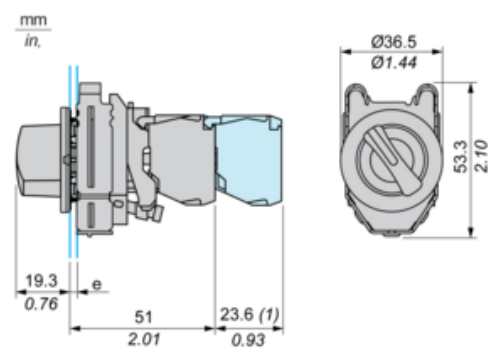
### Offer Sustainability

|                            |   |
|----------------------------|---|
| Sustainable offer status   | Green Premium product   |
| California proposition 65  | WARNING: This product can expose you to chemicals including: Di-isodecyl phthalate (DIDP), which is known to the State of California to cause birth defects or other reproductive harm. For more information go to <a href="http://www.P65Warnings.ca.gov">www.P65Warnings.ca.gov</a> |
| REACH Regulation           | <a href="#">REACH Declaration</a>   |
| REACH free of SVHC         | Yes   |
| EU RoHS Directive          | Pro-active compliance (Product out of EU RoHS legal scope) <a href="#">EU RoHS Declaration</a>  |
| Toxic heavy metal free     | Yes   |
| Mercury free               | Yes   |
| RoHS exemption information | <a href="#">Yes</a>   |
| China RoHS Regulation      | <a href="#">China RoHS Declaration</a>  |
| Environmental Disclosure   | <a href="#">Product Environmental Profile</a>   |
| Circularity Profile        | <a href="#">End Of Life Information</a>   |
| WEEE                       | The product must be disposed on European Union markets following specific waste collection and never end up in rubbish bins.  |

### Contractual warranty

|          |           |
|----------|-----------|
| Warranty | 18 months |
|----------|-----------|

Dimensions



e : clamping thickness: 1 to 6 mm / 0.04 to 0.24 in.  
(1) : Additional row of contacts

Panel Cut-out for Pushbuttons, Switches and Pilot Lights (Finished Holes, Ready for Installation)

Connection by Screw Clamp Terminals or Plug-in Connectors



(1) : Diameter on finished panel or support

(2) :  $\text{Ø}30.75 \text{ mm}$  recommended ( $\text{Ø}30.5 \text{ }_0^{+0.5}$ ) /  $\text{Ø}1.21 \text{ in.}$  recommended ( $\text{Ø}1.20 \text{ in. }_0^{+0.0196}$ )

| Connections                                 | a in mm | a in in. | b in mm | b in in. |
|---|---------|----------|---------|----------|
| By connectors                               | 50      | 1.97     | 40      | 1.57     |
| By connectors and with legend holder ZBZF32 | 50      | 1.97     | 40      | 1.57     |
| By connectors and with legend holder ZBZF33 | 60      | 2.36     | 40      | 1.57     |