

Product: [GDM21FA-V24-10D](#)

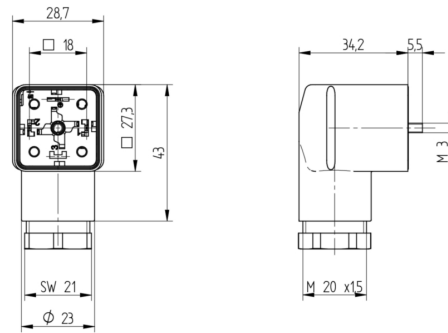


GDM Standard DIN Standard Field Attachable Connector: Form A, 3-pin (2+1PE; PE across cable outlet), transparent housing, screw type, M20; with varistor and yellow LED, 24 V AC/DC, 10 A

Product Description

GDM Standard DIN Standard Field Attachable Connector: Form A, 3-pin (2+1PE; PE across cable outlet), transparent housing, screw type, M20; with varistor and yellow LED, 24 V AC/DC, 10 A

Technical Drawing



Montageanleitung Ventiltasterbelüftung GDM

PEL, IP 67

DIN EN 175305-803

Substratgröße: 6,0 bis 8,0 mm / 8,0 bis 30,0 mm
Leitungsquerschnitt: AWG 20 – AWG 14

Achtung!
Nicht belüftet durch oder Last über Spannung stecken / wesen!

Einleitung:
Vor jeder Arbeit die Stromzufuhr zu der Belüftung und der Belüftung selbst zu unterbrechen. Bei Arbeiten an der Belüftung oder Belüftungsmontage, Spannung oder einen anderen elektrischen Kontakt nicht berühren. Die Belüftung darf nicht mit Wasser, Öl oder anderen Flüssigkeiten in Kontakt kommen. Bei Beschädigung der Belüftung oder Belüftungsmontage, die Belüftung sofort aus dem Stromnetz nehmen. Bei Beschädigung der Belüftung oder Belüftungsmontage, die Belüftung sofort aus dem Stromnetz nehmen. Bei Beschädigung der Belüftung oder Belüftungsmontage, die Belüftung sofort aus dem Stromnetz nehmen.

1. Leitungsüberprüfung / Kabeldurchmesser / Anordnung

GDMMod	30x1,5	0,5 – 0,2 mm	100 Nm
GDMMod	Tg 9	0,5 – 0,5 mm	100 Nm
GDMMod	M 2x0,3	0,2 – 0,2 mm	100 Nm
GDMMod	Pg 1,1	0,2 – 0,2 mm	100 Nm
GDMMod	3x0,75	0,2 – 0,2 mm	100 Nm
GDMMod	000 200	0,2 – 0,2 mm	100 Nm

2. Schraubkabel / Leiterplatten / Anordnung / Flanke / Werte

AWG 20	40 Nm	5A / 300 V AC/DC
AWG 18	40 Nm	5A / 300 V AC/DC
AWG 16	40 Nm	5A / 300 V AC/DC
AWG 14	40 Nm	5A / 300 V AC/DC

3. Zwickelkabel-Anordnung

M 2x0,3 - 0,5, Kreuzschlitze	50 Nm
M 2x0,3 - 0,5	50 Nm
M 2x0,3 - 0,5	50 Nm
M 2x0,3 - 0,5	50 Nm

4. Leitungsführung, Abisolierung

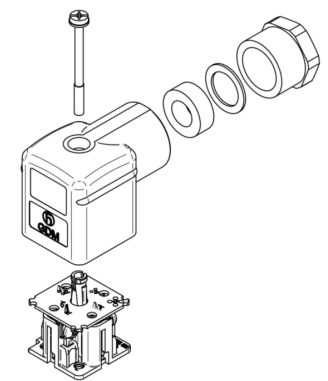
5. C-Clamp Kontakte für Leitungen: Größe AWG aus

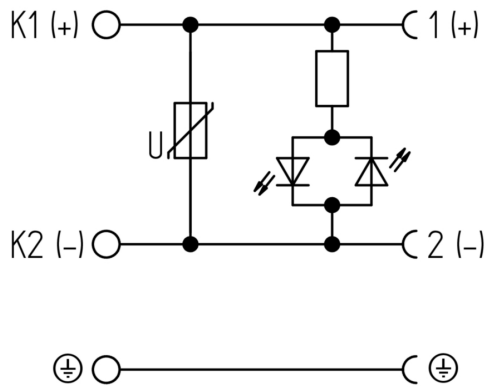
Leitungsquerschnitt	AWG 20 – 14
Handhabung	Typ: AMP Junior Power Term, Leitungsquerschnitt: AWG 20 – 14, Material: Handhabung: Typ: AMP 3385-1, Material: 33853-1

6. Warnung
Stromüberlastung und Drossel beachten. In nicht Stromüberlastung der Schaltung muss der Drosselwert mit einer Leistung von max. 1 A / 3 max. 10 A versehen werden.

7. Achtung
Do not use in surge protective device for connected equipment and wiring size 10 to 14 AWG

400 400 00 001216





Technical Specifications

Technical Data

Product Family:	Valve Connectors
Product Sub Family:	GDM Standard
Brand:	Hirschmann
Connector Type:	Field attachable
Type of Contact / Gender:	Female
Connector Design:	Angled
Number of Pins:	2+PE (PE across cable outlet)
Coding:	A
Shielding:	Unshielded
Attachment Type:	Central Screw
Rated Impulse Voltage:	4.0 kV (PCBA 2.0 kV)
Operating Voltage:	24 V AC/DC
Rated Current*:	10 A
Contact Resistance:	≤ 10 mOhm
Insulation Resistance:	> 10 ⁹ Ohm
Mating Cycles:	≤ 50
Type of Connection:	Screw
Cable Gland:	M20
Conductor Cross Section:	0.25 - 1.5 mm ²
Suitable Cables:	Ø 4.5 - 11 mm
Ambient Temperature (Operation)*:	-25°C to +80°C
Protection Degree / IP Rating**:	IP65
Design Standard:	DIN EN 175301-803-A, ISO 4400
Pollution Degree:	3 acc. to DIN EN 60664-1 (VDE 0110-1)
Clearance / Creepage Distance:	DIN EN 60664-1 (2008/01); VDE 0110-1
Overvoltage Category:	III acc. to DIN EN 60664-1 (VDE 0110-1)

Materials

Contact Base Material:	CuZn
Contact Plating:	Cu/Sn
Contact Bearer Material:	PA GF
Contact Bearer Color:	black
Flammability Class (Contact Bearer):	UL 94 HB
Housing Material:	PA GF
Housing Color:	Translucent
Flammability Class (Housing):	UL 94 HB
Cable Gland Material:	PA GF
Cable Gland Gasket:	NBR
Cable Gland Color:	Black

Attachment Material:	Steel, Philips combi slot
Gasket Material:	Sold separately

Protection Circuitry

Function Indicator:	Yellow LED
Protective Circuit:	Varistor

Additional Technical Data

Fastening Torque (Contact Screw):	M3: (25-30) Ncm
Fastening Torque (Cable Gland):	(150-200) Ncm
Fastening Torque (Attachment):	(50-60) Ncm

Approvals

VDE:	yes
SEV:	yes

Safety & Environmental Compliance

RoHS Compliant:	yes
-----------------	-----

Notes

Note Derating:	Notice derating
Protection Degree / IP Rating Note:	** only if mounted and locked in combination with Hirschmann / Lumberg Automation connector.
Note:	Do not connect or disconnect under load.

Variants

Item #	Item Description
934888070	GDM21FA-V24-10D

© 2023 Belden, Inc

All Rights Reserved.

Although Belden makes every reasonable effort to ensure their accuracy at the time of this publication, information and specifications described here in are subject to error or omission and to change without notice, and the listing of such information and specifications does not ensure product availability.

Belden provides the information and specifications herein on an "ASIS" basis, with no representations or warranties, whether express, statutory or implied. In no event will Belden be liable for any damages (including consequential, indirect, incidental, special, punitive, or exemplary damages) whatsoever, even if Belden has been advised of the possibility of such damages, whether in an action under contract, negligence or any other theory, arising out of or in connection with the use, or inability to use, the information or specifications described herein.

All sales of Belden products are subject to Belden's standard terms and conditions of sale.

Belden believes this product to be in compliance with all applicable environmental programs as listed in the data sheet. The information provided is correct to the best of Belden's knowledge, information and belief at the date of its publication. This information is designed only as a general guide for the safe handling, storage, and any other operation of the product itself or the one that it becomes a part of. The Product Disclosure is not to be considered a warranty or quality specification. Regulatory information is for guidance purposes only. Product users are responsible for determining the applicability of legislation and regulations based on their individual usage of the product.