

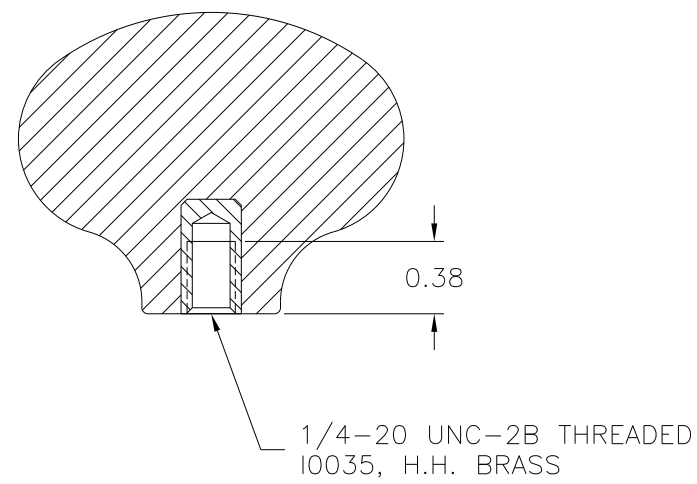
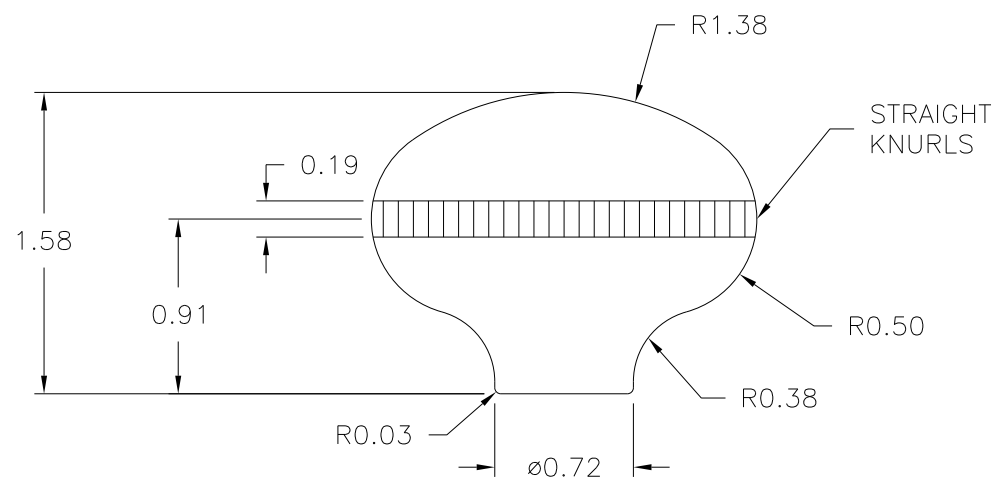
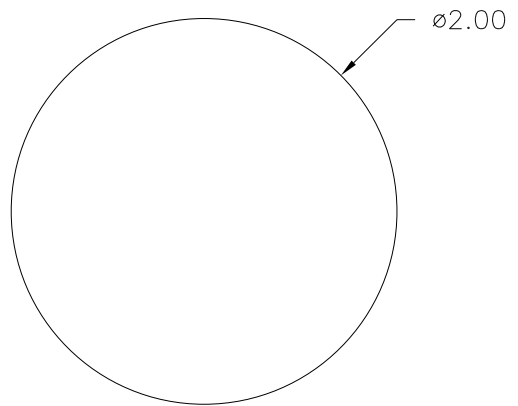
PART NAME: KNOB SCALE: 1:1 DATE: 4/1/57 DR. BY LSP

THIS DRAWING IS THE PROPERTY OF DAVIES MOLDING COMPANY, IS SUBMITTED SOLELY AS A DESIGN OR ENGINEERING PROJECT. WE ACCEPT NO RESPONSIBILITY WHATSOEVER FOR THE PRACTICAL APPLICATION OF THE PIECES MADE TO THIS DESIGN.



DESIGNERS & MANUFACTURERS OF KNOBS, HANDLES, CASES & CUSTOM PLASTIC COMPONENTS

| | |
|------------------|--------|
| P/N 0065-R | |
| M ^{NO.} | 0065 |
| CAVITY | 0065 |
| PLUNGER | 0065 |
| PINS | 0065-J |
| INSERT | I0035 |
| | |
| | |



MATERIAL: G.P. PHENOLIC (B11)
COLOR: BLACK

| | | | | |
|---|----------------------------------|---|---------------|------------|
| TOLERANCES: UNLESS OTHERWISE SPECIFIED | DO NOT SCALE DRAWING | | | |
| DECIMALS: X.XXX ± .005 X.XX ± .015 | MM: X.XX ± 0.15MM X.X ± 0.4MM | - | RE-DID REDRAW | TL 11/1/99 |
| FRACTIONS ± 1/64 | ANG. ± 1° | - | CAD REDRAW | HD 7/17/96 |
| CHANGES | | | | |