

PART NAME: KNOB SCALE: 1:1 DATE: 11/1/16 DR. BY JAM

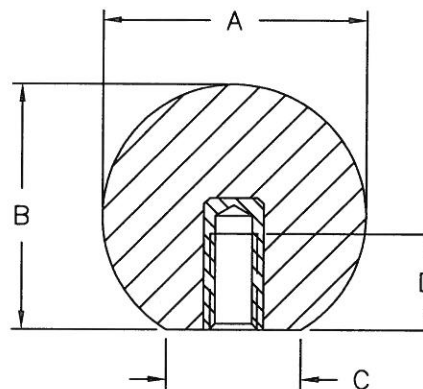
THIS DRAWING IS THE PROPERTY OF DAVIES MOLDING COMPANY, IS SUBMITTED SOLELY AS A DESIGN OR ENGINEERING PROJECT.
WE ACCEPT NO RESPONSIBILITY WHATSOEVER FOR THE PRACTICAL APPLICATION OF THE PIECES MADE TO THIS DESIGN.



DESIGNERS & MANUFACTURERS
OF KNOBS, HANDLES, CASES &
CUSTOM PLASTIC COMPONENTS

P/N 0033AG-AJ

| | THREAD | A | B | C | D | COLOR |
|--------|------------|----|-----------|----|-----|-------|
| 0033AG | M6 X 1 | 35 | 34 | 16 | 12 | BLACK |
| 0033AH | M8 X 1.25 | 35 | 34 | 16 | 12 | BLACK |
| 0033AJ | M10 X 1.5 | 35 | 34 | 16 | 15 | BLACK |
| 0033AN | M10 X 1.5 | 35 | 34 <td 16 | 15 | RED | |
| 0033AK | M12 X 1.75 | 35 | 34 | 16 | 18 | BLACK |



THREADED INTERNAL INSERT

KNOB MATERIAL: PHENOLIC
COLOR: BLACK

INSERT MATERIAL: INTERNAL INSERTS ARE BRASS,
PROJECTING STUDS ARE ZINC PLATED STEEL

| | | | | |
|-------------------------------------------|----------------------------------|---------|--|--|
| TOLERANCES: UNLESS OTHERWISE SPECIFIED | DO NOT SCALE DRAWING | | | |
| | MM: X.XX ± 0.15MM X.X ± 0.4MM | | | |
| | ANG. ± 1' | CHANGES | | |